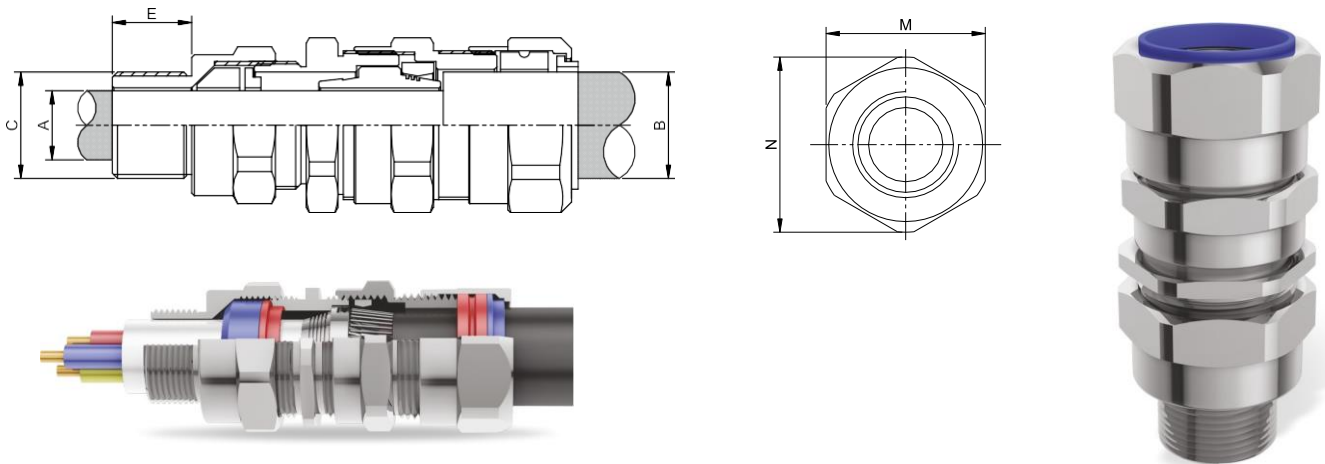


# E1FUNV Double Compression Cable Gland

## MM-EX-E1FUNV-20S16 1N X6 (1/2"NPT)



### Double Compression Cable Gland For Armoured Cables

### CABLE GLAND SIZE DETAILS

<b>Type</b>	E1FUNV Double Compression Cable Gland
<b>Cable Types</b>	For all type of IEC Armoured Cables
<b>Application</b>	Provides a flameproof (Type "D") seal on the cable inner bedding. Allows mechanical cable retention and earth continuity via the cable armor termination. Reversible armour cone and clamping ring arrangement facilitates remote make off and off and enables the cable to be disconnected from the equipment. Stepped cone is suitable for SWA cables. Grooved cone is suitable for all other approved armored cables.
<b>Option thread</b>	NPT
<b>Gland Material</b>	Stainless Steel (SS316L)
<b>IP Rating</b>	IP66 & IP68
<b>Gas Group</b>	II C
<b>EPL (Equipment Protection Level)</b>	Zone 1, Zone 2 Gb, Gc, Gas Zone 21, Zone 22, Db, Dc Dust
<b>Sealing Ring</b>	Double Compression Sealing (Sealing on both outer and inner sheath)

<b>CODE</b>	MM-EX-E1FUNV-20S16 1N X6 (1/2"NPT)
<b>CABLE GLAND SIZE</b>	20S16
<b>ENTRY THREAD "C"</b>	
<b>NPT</b>	1/2"
<b>THREAD LEGTH "E"</b>	
<b>NPT</b>	17
<b>CABLE DIAMETER "A"</b>	
<b>MIN</b>	6.2
<b>MAX</b>	13.1
<b>HEX SIZE</b>	
<b>M : MAX</b>	25
<b>N : MAX</b>	27.5

<b>Operating Temperature</b>	Silicone Seals: IECEx/ATEX-55°C ≤ Ta ≤ +160°C EAC-60°C ≤ Ta ≤ +130°C
<b>Finish</b>	Natural Brass or Nickel Plated
<b>Accessories</b>	PVC Shroud, Lock Nut, Earth Tag, Serrated Washer, Adaptor / Reducer
<b>IECEX Certificate No.</b>	IECEX PRE 20.0124X
<b>ATEX Certificate No.</b>	Presafe 20 ATEX 48906X
<b>EAC Certificate No.</b>	RU C-IN.AA71.B.00212/20
<b>PESO Certificate No.</b>	P538496/5
<b>Protection Type</b>	Ex d, Ex e, Ex t

- 
- \* Degrees of protection (IP Code) : IP66 / IP68 (1.5 meter, 2 Hours)
  - \* All the dimensions given are in Millimeters (mm)
  - \* Can be also provided in Kit Packing as per requirement